

FEATURES

- Excellent impedance characteristics, making it great for suppressing common mode noise.
- Low profile design makes it optimal for surface mounting.
- Operating temperature: -40°C ~ +105°C.



APPLICATIONS

- Current compensated choke for data and signal lines.
- Power supply system.
- Signal and sensor lines.
- Suppression of common mode noise.

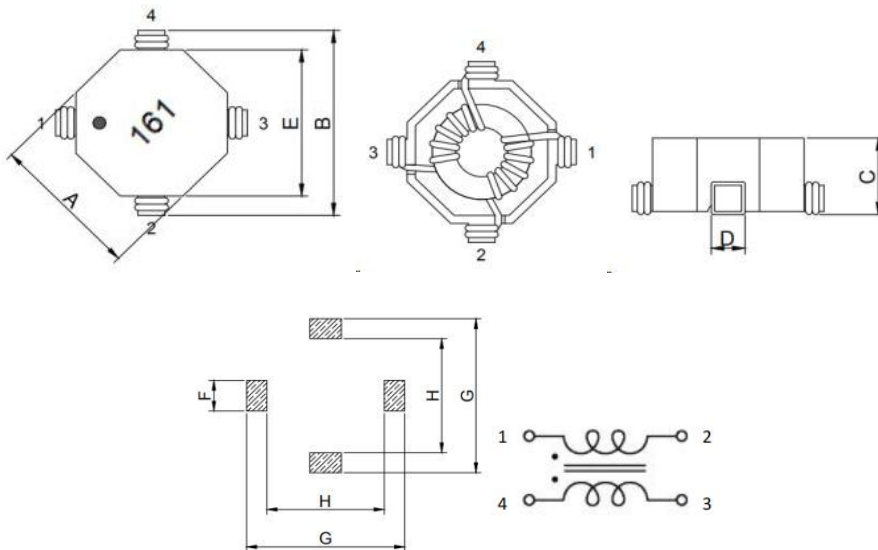
PRODUCT IDENTIFICATION

CMC 0906 S 101 T

(1) (2) (3) (4) (5)

- (1) 系列名称 Series name
- (2) 产品尺寸 Product dimensions
- (3) 特性类别 Feature Type (S:Sectional Winding)
- (4) 感量 Inductance Value (100:10μH, 101:100μH, 102:1000μH)
- (5) 包装 Package(T:Tape&Reel 卷盘编带)

SHAPE AND DIMENSIONS



Series	A	B	C	D	E	F	G	H
CMC0906	8.9±0.5	11.4±0.5	6.0 Max.	3.2 Max.	8.9±0.5	3.6 Typ.	12.6 Typ.	8.0 Typ.

Unit:mm

SPECIFICATIONS

CMC0906 Series

Part Number	Inductance Min. ($\mu\text{H}@100\text{KHz}$)	Leakage Inductance Typ.($\mu\text{H}@1\text{MHz}$)	DCR Max. ($\text{m}\Omega$)	Irms Max. (A)	Hi-Pot(Vdc) 1,2-4,3 3mA/1S
CMC0906S140T	14	0.13	4	6.00	500
CMC0906S250T	25	0.22	5	5.35	500
CMC0906S400T	40	0.34	8	4.40	500
CMC0906S570T	57	0.47	12	3.60	500
CMC0906S101T	102	0.80	19	2.80	500
CMC0906S161T	160	1.25	29	2.30	500
CMC0906S231T	230	1.75	44	1.85	500
CMC0906S271T	270	2.00	60	1.60	500
CMC0906S361T	360	2.60	84	1.35	500
CMC0906S461T	460	3.30	120	1.10	500
CMC0906S571T	575	4.00	170	0.94	500
CMC0906S701T	700	5.00	230	0.80	500
CMC0906S901T	915	6.30	330	0.67	500
CMC0906S102T	1070	7.30	440	0.58	500
CMC0906S132T	1340	9.00	620	0.50	500

Note:

Winding Type: Sectional.

Irms: DC current that causes the temperature rise($\Delta T=40^{\circ}\text{C}$) from 25°C ambient.