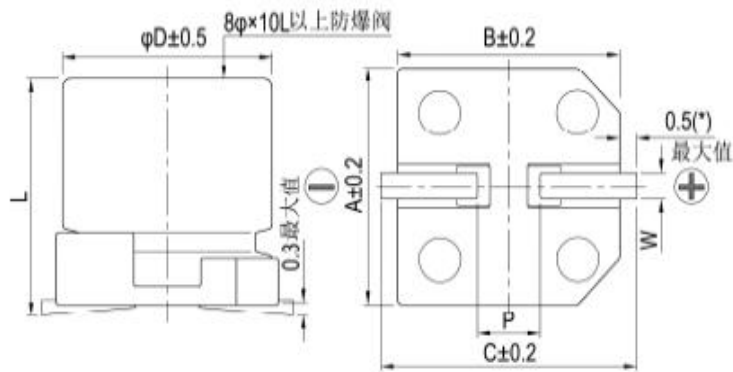


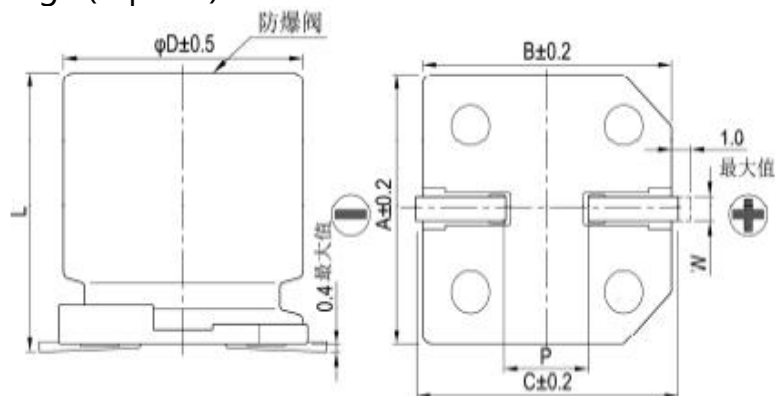
## Dimensions and Technical Parameter:

Fig.1( $\phi 4 \sim \phi 10$ )



Unit: mm

Fig.2( $\geq \phi 12.5$ )



Unit: mm

$\phi D$	L	A	B	C	$P \pm 0.2$	W	Fig.No.
4	5.4 -0.3/+0.5	4.3	4.3	5.0	1.0	0.5~0.9	Fig.1
5	5.4 -0.3/+0.5	5.3	5.3	6.0	1.5	0.5~0.9	Fig.1
6.3	5.4 -0.3/+0.5	6.6	6.6	7.2	2.1	0.5~0.9	Fig.1
6.3	5.8 $\pm 0.3$	6.6	6.6	7.2	2.1	0.5~0.9	Fig.1
6.3	7.7 -0.3/+0.5	6.6	6.6	7.2	2.1	0.5~0.9	Fig.1
8	6.5 $\pm 0.5$	8.3	8.3	9.1	3.1	0.8~1.1	Fig.1
8	10.2-0.3/+0.8 or 10.5 $\pm 0.5$	8.3	8.3	9.1	3.1	0.8~1.1	Fig.1
10	10.2-0.3/+0.8 or 10.5 $\pm 0.5$	10.3	10.3	11.1	4.5	0.8~1.3	Fig.1
12.5	13.5 $\pm 0.5$	13	13	13.7	4.4	1.0~1.4	Fig.2
16	21.5 $\pm 0.5$	17	17	18.0	6.4	1.1~1.4	Fig.2

## Technical Parameter:

Customer P/N	Aillen P/N	Cap. ( $\mu F$ )	Cap. Tol.	Rate Volt. (VDC)	Surge Volt. (VDC)	Oper. Temp. ( $^{\circ}C$ )
/	CAE227M1HHZSGJ2TR	220	$\pm 20\%$	50	57.5	-55~105
Case Size D*L (mm)	Leakage Current ( $\mu A$ )max	Tan $\delta$ 120Hz Max	ESR 100kHz Max( $\Omega$ )	R.C 100kHz (mA rms)	Load Life (hours)	Note
10x10.2	110	0.1	0.12	900	2000	