

## ● FEATURES 特性

1.表面贴装,小型、超薄电感器,大功率,高饱和,低电阻之特性.

The inductor designed as surface mounting, smallest and thinnest with high power, high saturation and low resistance

2.磁性胶水涂敷结构极大减少了噪声,闭合磁路结构设计,漏磁少,抗EMI能力强.

Magnetic-resin shielded structure reduces buzz noise to ultra-low levels, Closed magnetic circuit structure reduces magnetic leakage flux, high performance of anti-EMI.

3.同等尺寸额定电流较传统电感高出30%以上.

Compared with the same size part, the rated current 30% higher than the traditional inductors.

4.工作频率范围广,可达5MHz以上. Wide range working frequency that reach more than 5MHz

5.RoHS, 无卤环保产品. RoHS, Halogen-free environmental protection products



## ● APPLICATIONS 用途

1. LED Lighting LED 照明

2. Automotive systems 汽车产品

3. Notebooks, desktop computers, servers, graphic cards 笔记本电脑, 台式电脑, 服务器, 显卡

## ● PART NUMBERING SYSTEM 品名系统

NR 3015-2R2 N

a b c d

a: 系列名称 Series name

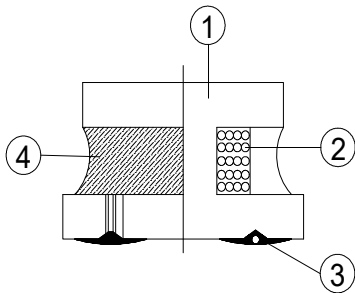
b: 产品尺寸 Product dimensions (A x B x C)

c: 电感值 Inductance Value

(1R0:1.0uH; 100: 10uH; 101:100uH)

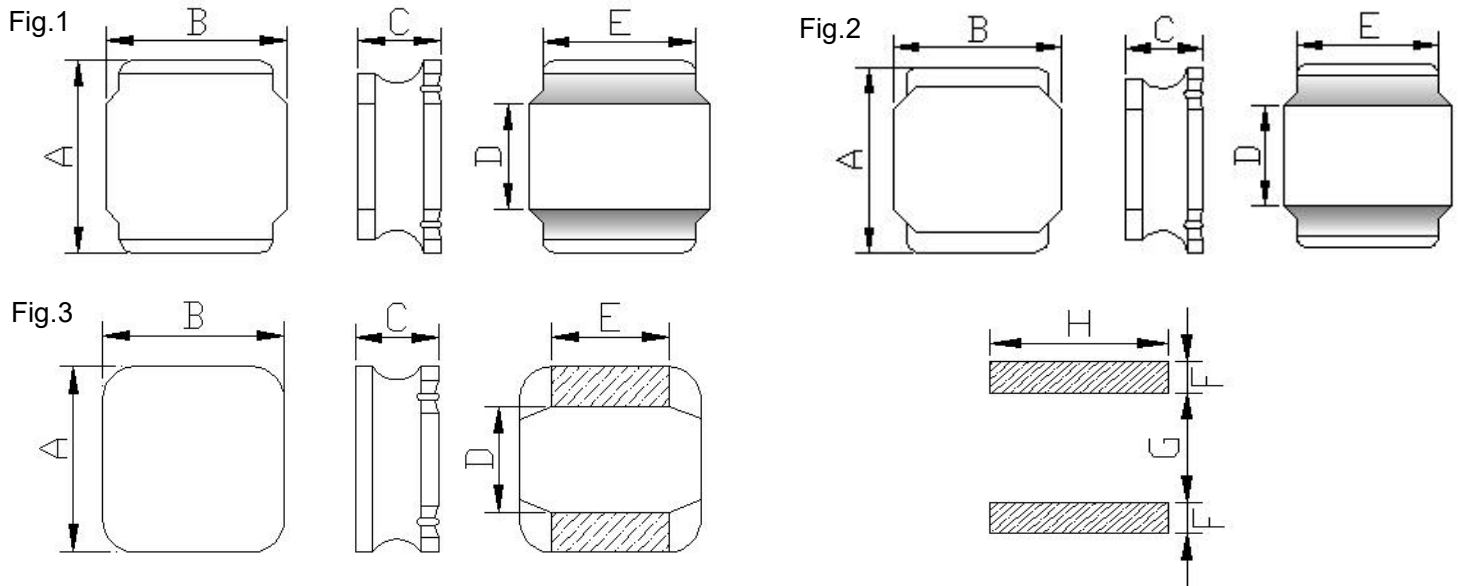
d: 电感公差 Inductance Tolerance (K:10% ; M:20% ; N:30%)

## ● STRUCTURAL DRAWING 结构图



- |                |                           |
|----------------|---------------------------|
| ① Freeite core | Ni-Zn Ferrite             |
| ② Winding wire | Polyurethane-copper wire  |
| ③ Electrode    | External electrode        |
| ④ Epoxy resin  | containing ferrite powder |

## ● SHAPES AND DIMENSIONS 外形尺寸 (Unit:mm)



※All products are printed with Marking except the ,201610,252010, 252012 series.

Series	Shape	Dimensions(mm)							
		A	B	C Max.	D	E Ref.	F Ref.	G Ref.	H Ref.
NR201610	Fig.1	2.0±0.2	1.6±0.2	1.05	0.8±0.2	1.60	0.70	0.70	1.60
NR252010	Fig.1	2.5±0.2	2.0±0.2	1.05	0.8±0.2	2.00	0.85	0.80	2.00
NR252012	Fig.1	2.5±0.2	2.0±0.2	1.20	0.8±0.2	2.00	0.85	0.80	2.00
NR3010	Fig.2	3.0±0.2	3.0±0.2	1.00	1.5±0.2	2.50	0.80	1.50	2.70
NR3012	Fig.2	3.0±0.2	3.0±0.2	1.20	1.5±0.2	2.50	0.80	1.50	2.70
NR3015	Fig.1	3.0±0.2	3.0±0.2	1.50	1.5±0.2	2.50	0.80	1.50	2.70
NR4010	Fig.2	4.0±0.2	4.0±0.2	1.00	2.1±0.2	3.30	1.10	1.90	3.70
NR4012	Fig.2	4.0±0.2	4.0±0.2	1.20	2.1±0.2	3.30	1.10	1.90	3.70
NR4018	Fig.1	4.0±0.2	4.0±0.2	1.80	2.1±0.2	3.30	1.10	1.90	3.70
NR4020	Fig.1	4.0±0.2	4.0±0.2	2.00	2.1±0.2	3.30	1.10	1.90	3.70
NR4030	Fig.1	4.0±0.2	4.0±0.2	3.00	2.1±0.2	3.30	1.10	1.90	3.70
NR5012	Fig.2	5.0±0.2	5.0±0.2	1.20	2.5±0.2	4.00	1.40	2.30	4.20
NR5020	Fig.1	5.0±0.2	5.0±0.2	2.00	2.5±0.2	4.00	1.40	2.30	4.20
NR5030	Fig.1	5.0±0.2	5.0±0.2	3.00	2.5±0.2	4.00	1.40	2.30	4.20
NR5040	Fig.1	5.0±0.2	5.0±0.2	4.00	2.5±0.2	4.00	1.40	2.30	4.20
NR6020	Fig.1	6.0±0.3	6.0±0.3	2.00	2.9±0.3	4.90	1.70	2.80	5.70
NR6028	Fig.1	6.0±0.3	6.0±0.3	2.80	2.9±0.3	4.90	1.70	2.80	5.70
NR6045	Fig.1	6.0±0.3	6.0±0.3	4.50	2.9±0.3	4.90	1.70	2.80	5.70
NR8040	Fig.1	8.0±0.3	8.0±0.3	4.20	4.0±0.3	6.30	2.20	3.80	7.50
NR8060	Fig.1	8.0±0.3	8.0±0.3	6.00	4.0±0.3	6.30	2.20	3.80	7.50
NR8065	Fig.1	8.0±0.3	8.0±0.3	6.50	4.0±0.3	6.30	2.20	3.80	7.50
NR1050	Fig.3	10±0.3	10±0.3	5.00	6.5±0.3	4.50	2.20	6.20	5.40



● SPECIFICATION TABLE:

NR201610 Series

Part Number	L (uH)	Test Freq. (MHz/V)	DCR Max. ( $\Omega$ )	Saturation Current(A)	Heat Rating Current (A)
NR201610-24M	0.24	1/0.25	0.040	3.70	2.80
NR201610-R47M	0.47	1/0.25	0.060	2.30	2.30
NR201610-R68M	0.68	1/0.25	0.076	1.95	2.00
NR201610-1R0M	1.0	1/0.25	0.114	1.65	1.45
NR201610-1R5M	1.5	1/0.25	0.174	1.35	1.10
NR201610-2R2M	2.2	1/0.25	0.265	1.20	1.05
NR201610-3R3M	3.3	1/0.25	0.345	1.00	0.85
NR201610-4R7M	4.7	1/0.25	0.480	0.75	0.70
NR201610-6R8M	6.8	1/0.25	0.800	0.70	0.55
NR201610-100M	10.	1/0.25	1.00	0.65	0.50
NR201610-220M	22	1/0.25	1.70	0.32	0.32

NR252010 Series

Part Number	L (uH)	Test Freq. (MHz/V)	DCR Max. ( $\Omega$ )	Saturation Current(A)	Heat Rating Current (A)
NR252010-R24M	0.24	100/0.25	0.034	3.60	2.75
NR252010-R33M	0.33	100/0.25	0.043	3.60	2.45
NR252010-R47M	0.47	100/0.25	0.044	2.80	2.40
NR252010-R68M	0.68	100/0.25	0.062	2.75	2.10
NR252010-1R0M	1.0	100/0.25	0.080	2.05	1.85
NR252010-1R5M	1.5	100/0.25	0.108	1.70	1.55
NR252010-2R2M	2.2	100/0.25	0.150	1.50	1.35
NR252010-3R3M	3.3	100/0.25	0.228	1.10	1.05
NR252010-4R7M	4.7	100/0.25	0.330	1.00	0.90
NR252010-5R6M	5.6	100/0.25	0.480	0.90	0.80
NR252010-6R8M	6.8	100/0.25	0.480	0.80	0.72
NR252010-100M	10	100/0.25	0.600	0.65	0.67
NR252010-150M	15	100/0.25	0.950	0.50	0.45



● SPECIFICATION TABLE:

NR252012 Series

Part Number	L (uH)	Test Freq. (MHz/V)	DCR Max. ( $\Omega$ )	Saturation Current(A)	Heat Rating Current (A)
NR252012-R24M	0.24	1/0.25	0.023	4.10	4.10
NR252012-R33M	0.33	1/0.25	0.031	4.00	3.35
NR252012-R47M	0.47	1/0.25	0.036	3.80	3.00
NR252012-R68M	0.68	1/0.25	0.047	3.00	2.30
NR252012-1R0M	1.0	1/0.25	0.060	2.25	2.30
NR252012-1R5M	1.5	1/0.25	0.090	2.00	1.80
NR252012-2R2M	2.2	1/0.25	0.108	1.75	1.75
NR252012-3R3M	3.3	1/0.25	0.156	1.20	1.40
NR252012-4R7M	4.7	1/0.25	0.228	1.10	1.10
NR252012-5R6M	5.6	1/0.25	0.330	1.00	1.00
NR252012-6R8M	6.8	1/0.25	0.360	0.90	0.95
NR252012-100M	10	1/0.25	0.522	0.70	0.78
NR252012-220M	22	1/0.25	1.29	0.45	0.48

● SPECIFICATION TABLE:

NR3010 Series

Part Number	L (uH)	Test Freq. (KHz/V)	DCR Max. ( $\Omega$ )	Saturation Current(A)	Heat Rating Current (A)
NR3010-1R0N	1.0	100/0.25	0.085	1.40	1.45
NR3010-1R2N	1.2	100/0.25	0.085	1.25	1.45
NR3010-1R5N	1.5	100/0.25	0.104	1.27	1.30
NR3010-2R2N	2.2	100/0.25	0.143	1.15	1.09
NR3010-2R7N	2.7	100/0.25	0.169	1.00	1.02
NR3010-3R3N	3.3	100/0.25	0.189	0.97	0.96
NR3010-3R6N	3.6	100/0.25	0.215	0.95	0.90
NR3010-4R7M	4.7	100/0.25	0.293	0.75	0.77
NR3010-5R6M	5.6	100/0.25	0.322	0.58	0.70
NR3010-6R8M	6.8	100/0.25	0.397	0.55	0.66
NR3010-8R2M	8.2	100/0.25	0.520	0.55	0.58
NR3010-100M	10	100/0.25	0.520	0.55	0.58
NR3010-120M	12	100/0.25	0.657	0.43	0.52
NR3010-150M	15	100/0.25	0.793	0.42	0.47
NR3010-220M	22	100/0.25	1.209	0.35	0.38
NR3010-270M	27	100/0.25	1.404	0.30	0.35
NR3010-330M	33	100/0.25	2.015	0.29	0.30
NR3010-390M	39	100/0.25	2.275	0.28	0.28
NR3010-430M	43	100/0.25	2.340	0.23	0.27
NR3010-470M	47	100/0.25	2.535	0.22	0.26
NR3010-510M	51	100/0.25	2.860	0.21	0.25
NR3010-560M	56	100/0.25	3.016	0.21	0.24

● SPECIFICATION TABLE:

NR3012 Series

Part Number	L (uH)	Test Freq. (KHz/V)	DCR Max. (Ω)	Saturation Current(A)	Heat Rating Current (A)
NR3012-R22N	0.22	100/0.25	0.022	5.30	3.00
NR3012-R82N	0.82	100/0.25	0.039	2.05	2.47
NR3012-1R0N	1.0	100/0.25	0.052	1.87	2.20
NR3012-1R2N	1.2	100/0.25	0.059	2.22	2.01
NR3012-1R5N	1.5	100/0.25	0.059	1.62	2.01
NR3012-1R8N	1.8	100/0.25	0.082	1.30	1.65
NR3012-2R2N	2.2	100/0.25	0.098	1.20	1.55
NR3012-2R4N	2.4	100/0.25	0.088	1.15	1.60
NR3012-2R7N	2.7	100/0.25	0.110	1.14	1.48
NR3012-3R3M	3.3	100/0.25	0.130	1.05	1.36
NR3012-3R6M	3.6	100/0.25	0.130	1.05	1.36
NR3012-3R9M	3.9	100/0.25	0.189	1.00	1.24
NR3012-4R7M	4.7	100/0.25	0.156	0.90	1.24
NR3012-5R6M	5.6	100/0.25	0.226	0.80	1.13
NR3012-6R8M	6.8	100/0.25	0.247	0.75	0.98
NR3012-100M	10	100/0.25	0.345	0.60	0.83
NR3012-120M	12	100/0.25	0.449	0.48	0.73
NR3012-150M	15	100/0.25	0.468	0.45	0.71
NR3012-180M	18	100/0.25	0.709	0.43	0.58
NR3012-220M	22	100/0.25	0.839	0.42	0.53
NR3012-270M	27	100/0.25	1.131	0.35	0.47
NR3012-330M	33	100/0.25	1.138	0.36	0.46
NR3012-360M	36	100/0.25	1.235	0.34	0.44
NR3012-390M	39	100/0.25	1.729	0.30	0.37
NR3012-470M	47	100/0.25	1.885	0.27	0.35
NR3012-560M	56	100/0.25	1.794	0.26	0.28
NR3012-680M	68	100/0.25	2.171	0.24	0.33
NR3012-820M	82	100/0.25	3.302	0.17	0.27
NR3012-101M	100	100/0.25	3.718	0.21	0.25

● SPECIFICATION TABLE:

NR3015 Series

Part Number	L (uH)	Test Freq. (KHz/V)	DCR Max. (Ω)	Saturation Current(A)	Heat Rating Current (A)
NR3015-R50N	0.5	100/0.25	0.039	3.90	2.60
NR3015-1R0N	1.0	100/0.25	0.039	2.32	2.35
NR3015-1R2N	1.2	100/0.25	0.052	2.21	1.95
NR3015-1R5N	1.5	100/0.25	0.065	2.30	1.70
NR3015-1R8N	1.8	100/0.25	0.065	1.75	1.70
NR3015-2R2N	2.2	100/0.25	0.078	1.60	1.60
NR3015-2R7N	2.7	100/0.25	0.098	1.52	1.43
NR3015-3R3M	3.3	100/0.25	0.104	1.32	1.36
NR3015-3R6M	3.6	100/0.25	0.137	1.28	1.20
NR3015-3R9M	3.9	100/0.25	0.137	1.20	1.20
NR3015-4R3M	4.3	100/0.25	0.150	1.20	1.14
NR3015-4R7M	4.7	100/0.25	0.163	1.10	1.09
NR3015-5R1M	5.1	100/0.25	0.173	1.00	1.05
NR3015-6R2M	6.2	100/0.25	0.254	1.00	0.86
NR3015-6R8M	6.8	100/0.25	0.260	0.85	0.85
NR3015-100M	10	100/0.25	0.325	0.72	0.77
NR3015-120M	12	100/0.25	0.416	0.70	0.68
NR3015-150M	15	100/0.25	0.455	0.66	0.65
NR3015-180M	18	100/0.25	0.559	0.56	0.59
NR3015-220M	22	100/0.25	0.598	0.52	0.57
NR3015-270M	27	100/0.25	0.949	0.48	0.45
NR3015-330M	33	100/0.25	1.066	0.44	0.43
NR3015-390M	39	100/0.25	1.294	0.41	0.39
NR3015-430M	43	100/0.25	1.378	0.37	0.37
NR3015-470M	47	100/0.25	1.625	0.35	0.35
NR3015-560M	56	100/0.25	1.664	0.33	0.34
NR3015-620M	62	100/0.25	2.093	0.30	0.30
NR3015-680M	68	100/0.25	3.510	0.28	0.23
NR3015-101M	100	100/0.25	4.043	0.23	0.21
NR3015-151M	150	100/0.25	4.940	0.18	0.19

● SPECIFICATION TABLE:

NR4010 Series

Part Number	L (uH)	Test Freq. (KHz/V)	DCR Max. (Ω)	Saturation Current(A)	Heat Rating Current (A)
NR4010-1R0N	1.0	100/0.25	0.067	2.00	1.90
NR4010-1R5N	1.5	100/0.25	0.084	1.68	1.70
NR4010-2R2M	2.2	100/0.25	0.102	1.20	1.50
NR4010-3R3M	3.3	100/0.25	0.120	1.10	1.40
NR4010-4R7M	4.7	100/0.25	0.168	0.95	1.20
NR4010-6R8M	6.8	100/0.25	0.240	0.80	1.00
NR4010-100M	10	100/0.25	0.360	0.62	0.75
NR4010-150M	15	100/0.25	0.516	0.54	0.60
NR4010-220M	22	100/0.25	0.684	0.45	0.50

NR4012 Series

Part Number	L (uH)	Test Freq. (KHz/V)	DCR Max. (Ω)	Saturation Current(A)	Heat Rating Current (A)
NR4012-R82N	0.82	100/0.25	0.065	3.02	1.65
NR4012-1R0N	1.0	100/0.25	0.065	2.61	1.65
NR4012-1R5N	1.5	100/0.25	0.085	2.10	1.46
NR4012-2R2N	2.2	100/0.25	0.104	1.76	1.32
NR4012-3R3N	3.3	100/0.25	0.143	1.72	1.12
NR4012-4R3N	4.3	100/0.25	0.182	1.58	1.00
NR4012-4R7N	4.7	100/0.25	0.163	1.15	1.05
NR4012-5R6N	5.6	100/0.25	0.182	1.00	1.00
NR4012-6R8M	6.8	100/0.25	0.257	0.85	0.84
NR4012-100M	10.	100/0.25	0.345	0.80	0.77
NR4012-120M	12	100/0.25	0.377	0.66	0.70
NR4012-150M	15	100/0.25	0.442	0.56	0.64
NR4012-180M	18	100/0.25	0.611	0.55	0.55
NR4012-220M	22	100/0.25	0.763	0.46	0.49
NR4012-330M	33	100/0.25	1.053	0.42	0.42
NR4012-360M	36	100/0.25	1.170	0.40	0.40
NR4012-390M	39	100/0.25	1.430	0.55	0.37
NR4012-470M	47	100/0.25	1.430	0.35	0.37
NR4012-560M	56	100/0.25	1.625	0.33	0.33
NR4012-680M	68	100/0.25	2.535	0.38	0.27
NR4012-820M	82	100/0.25	2.782	0.28	0.26
NR4012-101M	100	100/0.25	2.873	0.25	0.25



● SPECIFICATION TABLE:

NR4018 Series

Part Number	L (uH)	Test Freq. (KHz/V)	DCR Max. (Ω)	Saturation Current(A)	Heat Rating Current (A)
NR4018-R47N	0.47	100/0.25	0.018	4.30	4.00
NR4018-R68N	0.68	100/0.25	0.026	4.90	3.30
NR4018-1R0N	1.0	100/0.25	0.033	4.80	2.00
NR4018-1R5N	1.5	100/0.25	0.039	3.35	1.80
NR4018-1R8N	1.8	100/0.25	0.044	3.00	2.00
NR4018-2R2M	2.2	100/0.25	0.059	2.70	1.65
NR4018-3R3M	3.3	100/0.25	0.091	2.45	1.23
NR4018-4R7M	4.7	100/0.25	0.117	1.70	1.20
NR4018-6R8M	6.8	100/0.25	0.143	1.45	1.06
NR4018-100M	10	100/0.25	0.234	1.30	0.84
NR4018-150M	15	100/0.25	0.325	0.94	0.65
NR4018-220M	22	100/0.25	0.468	0.80	0.59
NR4018-270M	27	100/0.25	0.611	0.47	0.52
NR4018-330M	33	100/0.25	0.689	0.56	0.49
NR4018-470M	47	100/0.25	0.845	0.57	0.42
NR4018-680M	68	100/0.25	1.300	0.47	0.32
NR4018-101M	100	100/0.25	2.275	0.40	0.25
NR4018-151M	150	100/0.25	3.250	0.31	0.22
NR4018-221M	220	100/0.25	5.200	0.27	0.17

● SPECIFICATION TABLE:

NR4020 Series

Part Number	L (uH)	Test Freq. (KHz/V)	DCR Max. ( $\Omega$ )	Saturation Current(A)	Heat Rating Current (A)
NR4020-R24N	0.24	100/0.25	0.014	10.5	4.50
NR4020-R33N	0.33	100/0.25	0.016	7.50	3.30
NR4020-R47N	0.47	100/0.25	0.029	7.00	3.30
NR4020-R68N	0.68	100/0.25	0.036	6.40	2.80
NR4020-1R0N	1.0	100/0.25	0.038	4.78	2.15
NR4020-1R2N	1.2	100/0.25	0.038	5.10	2.15
NR4020-1R5N	1.5	100/0.25	0.046	4.45	1.98
NR4020-2R2N	2.2	100/0.25	0.052	3.40	1.85
NR4020-3R3M	3.3	100/0.25	0.091	3.20	1.40
NR4020-3R6M	3.6	100/0.25	0.072	2.80	1.54
NR4020-4R7M	4.7	100/0.25	0.098	2.35	1.34
NR4020-5R1M	5.1	100/0.25	0.111	2.30	1.27
NR4020-5R6M	5.6	100/0.25	0.117	2.20	1.22
NR4020-6R2M	6.2	100/0.25	0.150	2.15	1.08
NR4020-6R8M	6.8	100/0.25	0.163	2.20	1.04
NR4020-7R5M	7.5	100/0.25	0.150	1.85	1.08
NR4020-8R2M	8.2	100/0.25	0.163	1.75	1.04
NR4020-100M	10	100/0.25	0.215	1.60	0.90
NR4020-120M	12	100/0.25	0.228	1.50	0.88
NR4020-150M	15	100/0.25	0.299	1.35	0.77
NR4020-220M	22	100/0.25	0.455	1.05	0.62
NR4020-270M	27	100/0.25	0.709	1.02	0.50
NR4020-330M	33	100/0.25	0.715	0.85	0.49
NR4020-390M	39	100/0.25	0.845	0.82	0.46
NR4020-430M	43	100/0.25	0.858	0.77	0.45
NR4020-470M	47	100/0.25	0.923	0.74	0.44
NR4020-510M	51	100/0.25	0.975	0.70	0.42
NR4020-560M	56	100/0.25	1.040	0.66	0.41
NR4020-620M	62	100/0.25	1.170	0.65	0.39
NR4020-680M	68	100/0.25	1.380	0.61	0.36
NR4020-750M	75	100/0.25	1.510	0.70	0.35
NR4020-820M	82	100/0.25	1.520	0.50	0.34
NR4020-101M	100	100/0.25	2.020	0.48	0.31

● SPECIFICATION TABLE:

NR4030 Series

Part Number	L (uH)	Test Freq. (KHz/V)	DCR Max. (Ω)	Saturation Current(A)	Heat Rating Current (A)
NR4030-R68N	0.68	100/0.25	0.013	6.80	4.56
NR4030-R91N	0.91	100/0.25	0.017	6.25	4.15
NR4030-1R0N	1.0	100/0.25	0.018	5.26	4.15
NR4030-1R2N	1.2	100/0.25	0.020	5.80	3.82
NR4030-1R5N	1.5	100/0.25	0.026	4.84	3.34
NR4030-1R8N	1.8	100/0.25	0.033	5.40	3.20
NR4030-2R2N	2.2	100/0.25	0.039	4.90	2.95
NR4030-3R3M	3.3	100/0.25	0.052	3.30	2.40
NR4030-3R6M	3.6	100/0.25	0.052	3.00	2.40
NR4030-3R9M	3.9	100/0.25	0.074	3.00	2.10
NR4030-4R7M	4.7	100/0.25	0.078	2.90	2.00
NR4030-5R6M	5.6	100/0.25	0.085	2.60	1.95
NR4030-6R8M	6.8	100/0.25	0.117	2.75	1.60
NR4030-8R2M	8.2	100/0.25	0.125	2.10	1.60
NR4030-100M	10	100/0.25	0.130	1.95	1.50
NR4030-120M	12	100/0.25	0.175	1.70	1.30
NR4030-150M	15	100/0.25	0.247	1.65	1.11
NR4030-180M	18	100/0.25	0.260	1.40	1.10
NR4030-220M	22	100/0.25	0.292	1.30	1.00
NR4030-270M	27	100/0.25	0.338	1.15	0.90
NR4030-330M	33	100/0.25	0.429	1.10	0.84
NR4030-360M	36	100/0.25	0.436	1.05	0.83
NR4030-390M	39	100/0.25	0.566	1.03	0.73
NR4030-470M	47	100/0.25	0.579	0.95	0.72
NR4030-560M	56	100/0.25	0.722	0.85	0.65
NR4030-680M	68	100/0.25	1.128	0.72	0.52
NR4030-750M	75	100/0.25	1.326	0.70	0.48
NR4030-820M	82	100/0.25	1.378	0.66	0.47
NR4030-101M	100	100/0.25	1.495	0.60	0.45
NR4030-121M	120	100/0.25	1.755	0.55	0.42
NR4030-151M	150	100/0.25	2.340	0.50	0.30
NR4030-221M	220	100/0.25	3.250	0.40	0.35
NR4030-331M	330	100/0.25	5.200	0.30	0.25
NR4030-471M	470	100/0.25	9.360	0.30	0.20

## ● SPECIFICATION TABLE:

### NR5012 Series

Part Number	L (uH)	Test Freq. (KHz/V)	DCR Max. (Ω)	Saturation Current(A)	Heat Rating Current (A)
NR5012-1R0N	1.0	100/0.25	0.068	4.40	2.00
NR5012-1R5N	1.5	100/0.25	0.086	3.70	1.90
NR5012-2R2N	2.2	100/0.25	0.108	3.10	1.70
NR5012-3R3N	3.3	100/0.25	0.151	2.40	1.40
NR5012-4R7N	4.7	100/0.25	0.197	2.20	1.30
NR5012-6R8M	6.8	100/0.25	0.294	1.70	1.00
NR5012-100M	10	100/0.25	0.413	1.40	0.85
NR5012-150M	15	100/0.25	0.523	1.20	0.80
NR5012-220M	22	100/0.25	0.858	0.88	0.60

### NR5020 Series

Part Number	L (uH)	Test Freq. (KHz/V)	DCR Max. (Ω)	Saturation Current(A)	Heat Rating Current (A)
NR5020-R47N	0.47	100/0.25	0.017	6.15	4.60
NR5020-R56N	0.56	100/0.25	0.022	8.50	3.80
NR5020-R68N	0.68	100/0.25	0.022	5.50	4.00
NR5020-1R0N	1.0	100/0.25	0.026	4.10	3.80
NR5020-1R2N	1.2	100/0.25	0.029	4.50	3.55
NR5020-1R5N	1.5	100/0.25	0.034	4.10	3.20
NR5020-2R2N	2.2	100/0.25	0.042	3.20	2.90
NR5020-3R3N	3.3	100/0.25	0.056	2.55	2.50
NR5020-3R6N	3.6	100/0.25	0.056	2.80	2.50
NR5020-3R9N	3.9	100/0.25	0.056	2.30	2.50
NR5020-4R3M	4.3	100/0.25	0.074	2.50	2.20
NR5020-4R7M	4.7	100/0.25	0.074	2.50	2.20
NR5020-5R6M	5.6	100/0.25	0.083	2.30	2.05
NR5020-6R8M	6.8	100/0.25	0.120	2.05	1.80
NR5020-8R2M	8.2	100/0.25	0.127	1.85	1.65
NR5020-100M	10	100/0.25	0.163	1.70	1.55
NR5020-150M	15	100/0.25	0.215	1.35	1.25
NR5020-180M	18	100/0.25	0.260	1.25	1.15
NR5020-220M	22	100/0.25	0.294	1.15	1.10
NR5020-330M	33	100/0.25	0.507	0.92	0.90
NR5020-470M	47	100/0.25	0.680	0.77	0.77

● SPECIFICATION TABLE:

NR5030 Series

Part Number	L (uH)	Test Freq. (KHz/V)	DCR Max. ( $\Omega$ )	Saturation Current(A)	Heat Rating Current (A)
NR5030-R47N	0.47	100/0.25	0.013	9.00	5.00
NR5030-1R0N	1.0	100/0.25	0.020	6.65	4.00
NR5030-1R5N	1.5	100/0.25	0.020	6.00	3.90
NR5030-2R2M	2.2	100/0.25	0.030	4.20	3.50
NR5030-3R3M	3.3	100/0.25	0.039	3.60	3.00
NR5030-4R7M	4.7	100/0.25	0.0455	3.10	2.60
NR5030-6R8M	6.8	100/0.25	0.0676	2.50	2.30
NR5030-100M	10	100/0.25	0.091	2.10	1.70
NR5030-150M	15	100/0.25	0.1625	1.60	1.40
NR5030-220M	22	100/0.25	0.234	1.40	1.05
NR5030-270M	27	100/0.25	0.247	1.30	0.90
NR5030-330M	33	100/0.25	0.2925	1.15	0.80
NR5030-470M	47	100/0.25	0.4425	0.95	0.70
NR5030-560M	56	100/0.25	0.546	0.89	0.63
NR5030-680M	68	100/0.25	0.6175	0.85	0.68
NR5030-101M	100	100/0.25	0.936	0.71	0.65
NR5030-151M	150	100/0.25	1.365	0.60	0.55
NR5030-221M	220	100/0.25	1.69	0.55	0.45

● SPECIFICATION TABLE:

NR5040 Series

Part Number	L (uH)	Test Freq. (KHz/V)	DCR Max. ( $\Omega$ )	Saturation Current(A)	Heat Rating Current (A)
NR5040-1R0N	1.0	100/0.25	0.016	7.35	4.90
NR5040-1R2N	1.2	100/0.25	0.021	6.50	4.15
NR5040-1R5N	1.5	100/0.25	0.020	6.30	4.30
NR5040-1R8N	1.8	100/0.25	0.021	5.50	4.15
NR5040-2R2N	2.2	100/0.25	0.025	4.90	3.80
NR5040-2R7N	2.7	100/0.25	0.029	4.30	3.60
NR5040-3R0N	3.0	100/0.25	0.029	4.15	3.60
NR5040-3R3N	3.3	100/0.25	0.031	3.95	3.40
NR5040-3R6M	3.6	100/0.25	0.034	3.80	3.30
NR5040-3R9N	3.9	100/0.25	0.035	3.55	3.20
NR5040-4R7N	4.7	100/0.25	0.039	3.50	3.00
NR5040-5R6M	5.6	100/0.25	0.046	3.00	2.80
NR5040-6R8M	6.8	100/0.25	0.056	2.90	2.50
NR5040-8R2M	8.2	100/0.25	0.062	2.70	2.30
NR5040-100M	10	100/0.25	0.083	2.35	2.10
NR5040-150M	15	100/0.25	0.112	2.00	2.00
NR5040-220M	22	100/0.25	0.168	1.60	1.50
NR5040-330M	33	100/0.25	0.244	1.30	1.20
NR5040-470M	47	100/0.25	0.354	1.10	1.00
NR5040-680M	68	100/0.25	0.520	0.90	0.80
NR5040-101M	100	100/0.25	0.728	0.75	0.70
NR5040-151M	150	100/0.25	0.975	0.65	0.60
NR5040-102M	1000	100/0.25	7.800	0.21	0.20

● SPECIFICATION TABLE:

NR6020 Series

Part Number	L (uH)	Test Freq. (KHz/V)	DCR Max. (Ω)	Saturation Current(A)	Heat Rating Current (A)
NR6020-R50N	0.50	100/0.25	0.018	4.50	4.00
NR6020-R68N	0.68	100/0.25	0.022	6.55	3.80
NR6020-R82N	0.82	100/0.25	0.022	5.30	3.80
NR6020-1R0N	1.0	100/0.25	0.020	4.15	3.50
NR6020-1R2N	1.2	100/0.25	0.029	5.90	3.20
NR6020-1R5N	1.5	100/0.25	0.029	4.25	3.20
NR6020-1R8N	1.8	100/0.25	0.036	4.85	2.75
NR6020-2R0N	2.0	100/0.25	0.046	4.10	2.60
NR6020-2R2N	2.2	100/0.25	0.036	3.75	2.75
NR6020-2R7N	2.7	100/0.25	0.046	3.90	2.60
NR6020-3R3N	3.3	100/0.25	0.046	3.15	2.60
NR6020-3R9N	3.9	100/0.25	0.064	3.25	2.10
NR6020-4R3N	4.3	100/0.25	0.064	2.70	2.10
NR6020-4R7N	4.7	100/0.25	0.075	3.00	2.00
NR6020-5R6N	5.6	100/0.25	0.075	2.40	1.90
NR6020-6R2N	6.2	100/0.25	0.103	2.30	1.80
NR6020-6R8N	6.8	100/0.25	0.103	2.20	1.80
NR6020-8R2N	8.2	100/0.25	0.137	2.10	1.40
NR6020-100M	10	100/0.25	0.137	1.75	1.40
NR6020-120M	12	100/0.25	0.156	1.45	1.30
NR6020-150M	15	100/0.25	0.189	1.20	1.20
NR6020-180M	18	100/0.25	0.234	1.20	1.08
NR6020-220M	22	100/0.25	0.265	1.05	1.00
NR6020-330M	33	100/0.25	0.390	0.95	0.84
NR6020-470M	47	100/0.25	0.559	0.70	0.80
NR6020-331M	330	100/0.25	3.419	0.27	0.33

● SPECIFICATION TABLE:

NR6028 Series

Part Number	L (uH)	Test Freq. (KHz/V)	DCR Max. (Ω)	Saturation Current(A)	Heat Rating Current (A)
NR6028-R82N	0.82	100/0.25	0.016	6.50	5.20
NR6028-1R0N	1.0	100/0.25	0.013	5.75	5.20
NR6028-1R2N	1.2	100/0.25	0.017	6.40	4.58
NR6028-1R5N	1.5	100/0.25	0.017	6.00	4.58
NR6028-2R2N	2.2	100/0.25	0.026	5.10	3.75
NR6028-2R7N	2.7	100/0.25	0.026	3.80	3.75
NR6028-3R3N	3.3	100/0.25	0.033	4.15	3.48
NR6028-4R7N	4.7	100/0.25	0.039	3.00	3.08
NR6028-5R1N	5.1	100/0.25	0.056	3.20	2.60
NR6028-6R2M	6.2	100/0.25	0.061	3.05	2.40
NR6028-6R8M	6.8	100/0.25	0.061	2.60	2.40
NR6028-8R2M	8.2	100/0.25	0.072	2.30	2.25
NR6028-9R1M	9.1	100/0.25	0.096	2.55	2.15
NR6028-100M	10	100/0.25	0.094	2.04	1.95
NR6028-120M	12	100/0.25	0.104	1.80	1.85
NR6028-150M	15	100/0.25	0.163	1.75	1.45
NR6028-180M	18	100/0.25	0.156	1.52	1.45
NR6028-220M	22	100/0.25	0.182	1.45	1.40
NR6028-270M	27	100/0.25	0.202	1.50	1.32
NR6028-330M	33	100/0.25	0.241	1.35	1.22
NR6028-360M	36	100/0.25	0.280	1.25	1.13
NR6028-390M	39	100/0.25	0.293	1.25	1.10
NR6028-470M	47	100/0.25	0.410	1.15	1.06
NR6028-560M	56	100/0.25	0.449	1.05	0.89
NR6028-680M	68	100/0.25	0.468	0.80	0.86
NR6028-750M	75	100/0.25	0.533	0.90	0.81
NR6028-820M	82	100/0.25	0.650	0.80	0.70
NR6028-101M	100	100/0.25	0.650	0.65	0.70
NR6028-401M	400	100/0.25	2.808	0.30	0.40
NR6028-102M	1000	100/0.25	7.540	0.18	0.23



● SPECIFICATION TABLE:

NR6045 Series

Part Number	L ( $\mu$ H)	Test Freq. (KHz/V)	DCR Max. ( $\Omega$ )	Saturation Current(A)	Heat Rating Current (A)
NR6045-R47N	0.47	100/0.25	0.008	15.00	6.50
NR6045-R56N	0.56	100/0.25	0.008	14.00	6.50
NR6045-R68N	0.68	100/0.25	0.008	11.00	5.70
NR6045-R82N	0.82	100/0.25	0.010	10.35	5.90
NR6045-1R0N	1.0	100/0.25	0.014	9.85	5.14
NR6045-1R2N	1.2	100/0.25	0.013	8.35	5.40
NR6045-1R3N	1.3	100/0.25	0.013	8.35	5.40
NR6045-1R5N	1.5	100/0.25	0.016	8.80	4.95
NR6045-1R8N	1.8	100/0.25	0.016	7.60	4.95
NR6045-2R2N	2.2	100/0.25	0.018	6.75	4.60
NR6045-2R3N	2.3	100/0.25	0.027	6.00	3.50
NR6045-2R7N	2.7	100/0.25	0.020	5.75	4.30
NR6045-3R0N	3.0	100/0.25	0.026	5.60	3.80
NR6045-3R3N	3.3	100/0.25	0.027	5.90	3.70
NR6045-3R6N	3.6	100/0.25	0.027	5.25	3.70
NR6045-4R3M	4.3	100/0.25	0.030	4.45	3.50
NR6045-4R5M	4.5	100/0.25	0.034	4.97	3.30
NR6045-4R7M	4.7	100/0.25	0.034	4.97	3.30
NR6045-5R1M	5.1	100/0.25	0.034	4.40	3.30
NR6045-5R6M	5.6	100/0.25	0.038	4.15	3.15
NR6045-6R2M	6.2	100/0.25	0.040	4.43	3.00
NR6045-6R3M	6.3	100/0.25	0.040	4.43	3.00
NR6045-6R8M	6.8	100/0.25	0.040	3.90	3.00
NR6045-7R5M	7.5	100/0.25	0.044	3.50	2.90
NR6045-8R2M	8.2	100/0.25	0.056	3.90	2.60
NR6045-9R1M	9.1	100/0.25	0.056	3.35	2.60
NR6045-100M	10	100/0.25	0.062	3.20	2.45
NR6045-120M	12	100/0.25	0.075	2.80	2.20
NR6045-150M	15	100/0.25	0.088	2.50	2.05
NR6045-180M	18	100/0.25	0.105	2.20	1.85
NR6045-220M	22	100/0.25	0.116	2.05	1.80
NR6045-270M	27	100/0.25	0.133	1.90	1.65



● SPECIFICATION TABLE:

NR6045 Series

Part Number	L (uH)	Test Freq. (KHz/V)	DCR Max. (Ω)	Saturation Current(A)	Heat Rating Current (A)
NR6045-300M	30	100/0.25	0.172	1.70	1.50
NR6045-330M	33	100/0.25	0.178	1.65	1.45
NR6045-360M	36	100/0.25	0.225	1.62	1.40
NR6045-390M	39	100/0.25	0.234	1.50	1.25
NR6045-430M	43	100/0.25	0.260	1.63	1.20
NR6045-470M	47	100/0.25	0.260	1.40	1.20
NR6045-510M	51	100/0.25	0.269	1.35	1.15
NR6045-560M	56	100/0.25	0.287	1.30	1.10
NR6045-620M	62	100/0.25	0.306	1.25	1.10
NR6045-680M	68	100/0.25	0.376	1.20	1.00
NR6045-750M	75	100/0.25	0.397	1.15	0.95
NR6045-820M	82	100/0.25	0.443	1.05	0.90
NR6045-910M	91	100/0.25	0.467	1.00	0.85
NR6045-101M	100	100/0.25	0.563	0.95	0.80
NR6045-121M	120	100/0.25	0.629	0.85	0.77
NR6045-151M	150	100/0.25	0.754	0.80	0.70
NR6045-221M	220	100/0.25	1.084	0.70	0.59
NR6045-331M	330	100/0.25	1.651	0.57	0.57
NR6045-471M	470	100/0.25	2.340	0.50	0.42
NR6045-681M	680	100/0.25	3.250	0.42	0.33
NR6045-102M	1000	100/0.25	5.850	0.30	0.30
NR6045-152M	1500	100/0.25	8.450	0.24	0.21
NR6045-222K	2200	100/0.25	12.48	0.20	0.17

● SPECIFICATION TABLE:

NR8040 Series

Part Number	L (uH)	Test Freq. (KHz/V)	DCR Max. ( $\Omega$ )	Saturation Current(A)	Heat Rating Current (A)
NR8040-R82N	0.82	100/0.25	0.010	13.80	6.30
NR8040-1R0N	1.0	100/0.25	0.010	9.85	6.30
NR8040-1R2N	1.2	100/0.25	0.013	9.20	5.65
NR8040-1R5N	1.5	100/0.25	0.013	8.15	5.65
NR8040-2R2N	2.2	100/0.25	0.016	7.10	5.15
NR8040-3R3N	3.3	100/0.25	0.022	6.50	4.40
NR8040-4R7N	4.7	100/0.25	0.025	5.90	4.10
NR8040-5R6N	5.6	100/0.25	0.027	6.00	3.85
NR8040-6R8M	6.8	100/0.25	0.031	4.55	3.60
NR8040-8R2M	8.2	100/0.25	0.034	4.20	3.45
NR8040-100M	10	100/0.25	0.038	3.60	3.30
NR8040-150M	15	100/0.25	0.061	2.95	2.60
NR8040-180M	18	100/0.25	0.069	2.70	2.40
NR8040-220M	22	100/0.25	0.090	2.40	2.10
NR8040-330M	33	100/0.25	0.126	2.05	1.80
NR8040-390M	39	100/0.25	0.139	1.95	1.70
NR8040-430M	43	100/0.25	0.147	1.90	1.65
NR8040-470M	47	100/0.25	0.177	1.75	1.55
NR8040-560M	56	100/0.25	0.192	1.55	1.45
NR8040-620M	62	100/0.25	0.237	1.50	1.30
NR8040-680M	68	100/0.25	0.255	1.45	1.25
NR8040-820M	82	100/0.25	0.293	1.30	1.15
NR8040-101M	100	100/0.25	0.377	1.15	1.00
NR8040-121M	120	100/0.25	0.434	1.05	0.95
NR8040-151M	150	100/0.25	0.533	1.10	0.85
NR8040-181M	180	100/0.25	0.676	0.95	0.83
NR8040-221M	220	100/0.25	0.779	0.85	0.80
NR8040-331M	330	100/0.25	1.156	0.68	0.64
NR8040-471M	470	100/0.25	1.625	0.60	0.50
NR8040-681M	680	100/0.25	2.652	0.50	0.45
NR8040-102M	1000	100/0.25	3.640	0.40	0.35
NR8040-152M	1500	100/0.25	6.500	0.32	0.26

● SPECIFICATION TABLE:

NR8060 Series

Part Number	L (uH)	Test Freq. (KHz/V)	DCR Max. (Ω)	Saturation Current(A)	Heat Rating Current (A)
NR8060-2R2N	2.2	100/0.25	0.022	8.00	5.70
NR8060-3R3N	3.3	100/0.25	0.025	7.50	5.00
NR8060-4R7M	4.7	100/0.25	0.032	7.00	4.65
NR8060-6R8M	6.8	100/0.25	0.037	5.90	4.20
NR8060-100M	10	100/0.25	0.042	5.80	3.80
NR8060-150M	15	100/0.25	0.071	4.50	3.10
NR8060-220M	22	100/0.25	0.100	4.30	2.70
NR8060-330M	33	100/0.25	0.162	3.00	2.10
NR8060-470M	47	100/0.25	0.188	2.85	1.80
NR8060-680M	68	100/0.25	0.248	2.50	1.60
NR8060-101M	100	100/0.25	0.380	2.00	1.25
NR8060-221M	220	100/0.25	0.884	1.20	0.82
NR8060-331M	330	100/0.25	1.26	1.05	0.68
NR8060-471M	470	100/0.25	1.76	0.90	0.55
NR8060-681M	680	100/0.25	2.80	0.80	0.50
NR8060-821M	820	100/0.25	3.40	0.70	0.43
NR8060-102M	1000	100/0.25	3.87	0.60	0.37

## ● SPECIFICATION TABLE:

### NR8065 Series

Part Number	L (uH)	Test Freq. (KHz/V)	DCR Max. (Ω)	Saturation Current(A)	Heat Rating Current (A)
NR8065-6R8M	6.8	100/0.25	0.029	7.50	4.30
NR8065-7R8M	7.8	100/0.25	0.033	7.00	4.10
NR8065-100M	10	100/0.25	0.047	6.00	3.20
NR8065-150M	15	100/0.25	0.064	5.00	2.80
NR8065-220M	22	100/0.25	0.082	4.00	2.60
NR8065-330M	33	100/0.25	0.110	3.40	2.20
NR8065-470M	47	100/0.25	0.163	2.80	1.80
NR8065-101M	100	100/0.25	0.338	1.90	1.20
NR8065-151M	150	100/0.25	0.533	1.50	0.92
NR8065-102M	1000	200/0.25	3.250	0.62	0.38
NR8065-152M	1500	200/0.25	4.680	0.50	0.29
NR8065-103M	10000	200/0.25	36.40	0.17	0.11

### NR1050 Series

Part Number	L (uH)	Test Freq. (KHz/V)	DCR Max. (Ω)	Saturation Current(A)	Heat Rating Current (A)
NR1050-4R7N	4.7	100/0.25	0.030	10.30	4.60
NR1050-6R8M	6.8	100/0.25	0.037	9.00	4.20
NR1050-100M	10	100/0.25	0.048	7.20	3.70
NR1050-150M	15	100/0.25	0.059	6.00	3.20
NR1050-220M	22	100/0.25	0.085	4.30	2.70
NR1050-330M	33	100/0.25	0.104	4.00	2.30
NR1050-470M	47	100/0.25	0.163	3.30	2.00
NR1050-680M	68	100/0.25	0.235	3.00	1.80
NR1050-101M	100	100/0.25	0.338	2.50	1.40
NR1050-151M	150	100/0.25	0.438	2.00	1.20
NR1050-221M	220	100/0.25	0.675	1.80	1.00
NR1050-331M	330	100/0.25	1.10	1.40	0.85
NR1050-471M	470	100/0.25	1.43	1.20	0.73
NR1050-561M	560	100/0.25	1.75	1.10	0.68
NR1050-681M	680	100/0.25	1.98	1.00	0.65
NR1050-821M	820	100/0.25	2.73	0.90	0.55
NR1050-102M	1000	100/0.25	3.42	0.80	0.50



● SPECIFICATION TABLE:

NR6020 Series

Part Number	L (uH)	Test Freq. (KHz/V)	DCR Max. (Ω)	Saturation Current(A)	Heat Rating Current (A)
NR6020-R50N	0.50	100/0.25	0.018	4.50	4.00
NR6020-R68N	0.68	100/0.25	0.022	6.55	3.80
NR6020-R82N	0.82	100/0.25	0.022	5.30	3.80
NR6020-1R0N	1.0	100/0.25	0.020	4.15	3.50
NR6020-1R2N	1.2	100/0.25	0.029	5.90	3.20
NR6020-1R5N	1.5	100/0.25	0.029	4.25	3.20
NR6020-1R8N	1.8	100/0.25	0.036	4.85	2.75
NR6020-2R0N	2.0	100/0.25	0.046	4.10	2.60
NR6020-2R2N	2.2	100/0.25	0.036	3.75	2.75
NR6020-2R7N	2.7	100/0.25	0.046	3.90	2.60
NR6020-3R3N	3.3	100/0.25	0.046	3.15	2.60
NR6020-3R9N	3.9	100/0.25	0.064	3.25	2.10
NR6020-4R3N	4.3	100/0.25	0.064	2.70	2.10
NR6020-4R7N	4.7	100/0.25	0.075	3.00	2.00
NR6020-5R6N	5.6	100/0.25	0.075	2.40	1.90
NR6020-6R2N	6.2	100/0.25	0.103	2.30	1.80
NR6020-6R8N	6.8	100/0.25	0.103	2.20	1.80
NR6020-8R2N	8.2	100/0.25	0.137	2.10	1.40
NR6020-100M	10	100/0.25	0.137	1.75	1.40
NR6020-120M	12	100/0.25	0.156	1.45	1.30
NR6020-150M	15	100/0.25	0.189	1.20	1.20
NR6020-180M	18	100/0.25	0.234	1.20	1.08
NR6020-220M	22	100/0.25	0.265	1.05	1.00
NR6020-330M	33	100/0.25	0.390	0.95	0.84
NR6020-470M	47	100/0.25	0.559	0.70	0.80
NR6020-331M	330	100/0.25	3.419	0.27	0.33