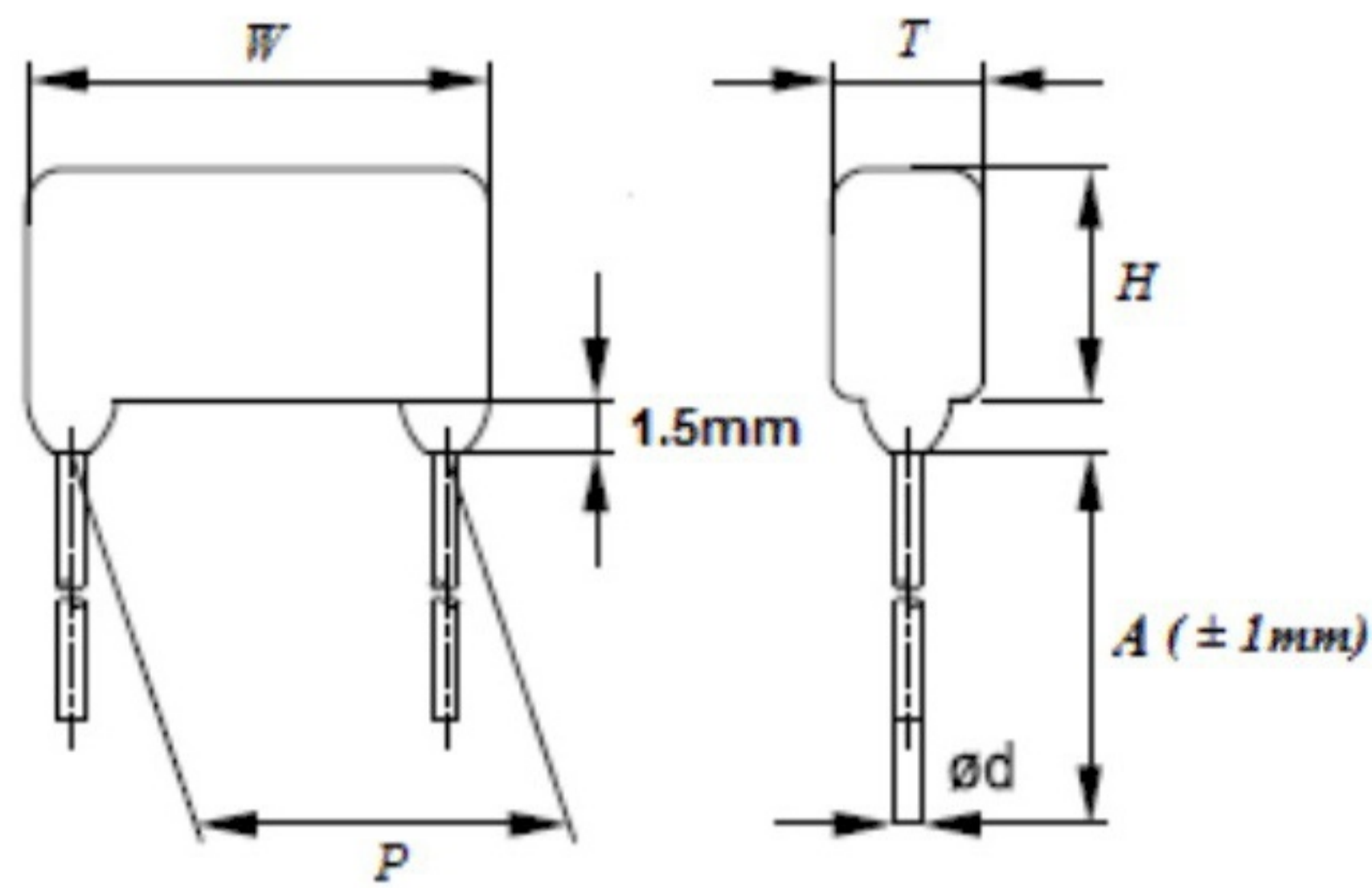


外觀圖 Outling Drawing



主要用途

廣泛用於高頻，直流，交流和脈衝電路中  
 電子式鎮流器，開關模式電源供應器  
 適用於各種高頻，大電流場合

Typical Applications

Widely used in high frequency, DC, AC and pulse circuits  
 Electronic ballasts, Switch-mode power supplies  
 Suitable for the situation where applies high frequency and high current pulse

特點

金屬化聚丙烯膜，無感捲繞結構  
 高頻損耗小  
 內部溫升小  
 阻燃性環氧樹脂包封

Features

Metalized polypropylene film, non-inductive wound construction  
 Low loss at high frequency  
 Small inherent temperature rise  
 Flame retardant epoxy resin coating

規格書 Specifications

引用標準 Reference Standard	GB/T 14579 (IEC 60384-17)	
氣候類別 Climatic Category	55/105/21	
工作溫度範圍 Operating Temperature Range	- 40°C~+105°C (+85°C to +105°C: decreasing factor 1.25% per C for UR)	
電容量範圍 Capacitance Range	0.001uF ~ 3.3uF	
額定電壓 Rated Voltage	100V, 250V, 400V, 630V, 1000V	
電容偏差 Capacitance Tolerance	± 5%(J)、± 10%(K)	
承受電壓 Voltage Proof	1.5UR (5s)	
損耗角 Dissipation Factor	≤0.10% (20°C, 1kHz)	
絕緣電阻 Insulation Resistance	UR≤100V	CR ≤ 0.33uF IR ≥ 100,000MΩ CR > 0.33uF IR ≥ 30,000S



外型尺寸表 Dimension(mm)

100Vdc (63Vac)					
容量 μF	W	H	T	P	d
0.010	10	10	6	7.5	0.6
0.015	10	11	7	7.5	0.6
0.018	10	11	7.5	7.5	0.6
0.022	10	9	5.5	7.5	0.6
0.027	10	9.5	5.5	7.5	0.6
0.033	10	10	6	7.5	0.6
0.039	10	10	6.5	7.5	0.6
0.047	10	10.5	7	7.5	0.6
0.056	10	9	5.5	7.5	0.6
0.068	10	9.5	5.5	7.5	0.6
0.082	10	10.5	6	7.5	0.6
0.10	10	10.5	6.5	7.5	0.6
0.12	10	11	6.5	7.5	0.6
0.15	13	11	6.5	10	0.6
0.18	13	12	6.5	10	0.6
0.22	13	12.5	7	10	0.6
0.27	13	13	7.5	10	0.6
0.33	19	12	6.5	15	0.8
0.39	19	12.5	7	15	0.8
0.47	19	13	7.5	15	0.8
0.56	19	13.5	8	15	0.8
0.68	19	14	9	15	0.8
0.82	19	15	9.5	15	0.8
1.0	24	15.5	8.5	20	0.8
1.2	24	16	9.5	20	0.8
1.5	24	17	10.5	20	0.8
1.8	24	18	11.5	20	0.8
2.0	29	17.5	10.5	25	0.8
2.2	29	18	11	25	0.8
2.7	29	20	11.5	25	0.8
3.3	29	21	13	25	0.8

250Vdc (60Vac)					
容量 μF	W	H	T	P	d
0.010	10	10	6	7.5	0.6
0.015	10	9.5	6	7.5	0.6
0.018	10	10	6	7.5	0.6
0.022	10	9	5.5	7.5	0.6
0.027	10	9.5	5.5	7.5	0.6
0.033	10	10	6	7.5	0.6
0.039	10	10	6.5	7.5	0.6
0.047	10	10.5	7	7.5	0.6
0.056	13	10	6.5	10	0.6
0.068	13	10.5	7	10	0.6
0.082	13	10.5	6	10	0.6
0.10	13	11	6.5	10	0.6
0.12	13	11.5	7	10	0.6
0.15	19	12	7	15	0.8
0.18	19	13.5	7	15	0.8
0.22	19	14	7.5	15	0.8
0.27	19	15	8	15	0.8
0.33	19	15.5	9	15	0.8
0.39	24	14.5	8.5	20	0.8
0.47	24	15	9	20	0.8
0.56	24	16	10	20	0.8
0.68	24	17.5	10.5	20	0.8
0.82	24	18.5	11.5	20	0.8
1.0	29	17.5	9	25	0.8
1.2	29	18	10	25	0.8
1.5	29	19.5	11	25	0.8
1.8	29	21.5	11.5	25	0.8
2.0	29	22	12	25	0.8
2.2	29	22.5	12.5	25	0.8
2.7	29	24	14	25	0.8
3.3	29	25.5	15.5	25	0.8



外型尺寸表 Dimension(mm)

400Vdc(200Vac)					
容量 μF	W	H	T	P	d
0.010	10	10	6	7.5	0.6
0.015	10	11	7	7.5	0.6
0.018	10	11	7.5	7.5	0.6
0.022	10	12	8	7.5	0.6
0.027	13	12	6.5	10	0.6
0.033	13	12	7	10	0.6
0.039	13	12.5	7	10	0.6
0.047	13	13	8	10	0.6
0.056	13	14	8.5	10	0.6
0.068	19	13.5	6.5	15	0.8
0.082	19	13.5	7	15	0.8
0.10	19	14.5	7.5	15	0.8
0.12	19	15	8	15	0.8
0.15	19	15.5	9	15	0.8
0.18	24	15	8	20	0.8
0.22	24	16	8.5	20	0.8
0.27	24	16.5	9.5	20	0.8
0.33	24	17.5	10	20	0.8
0.39	29	17	9.5	25	0.8
0.47	29	18.5	10	25	0.8
0.56	29	19.5	11	25	0.8
0.68	29	19.5	12	25	0.8
0.82	34	20.5	12	30	0.8
1.0	34	21.5	13	30	0.8
630Vdc(220Vac)					
0.0010	10	9	5.5	7.5	0.6
0.0015	10	9	5.5	7.5	0.6
0.0018	10	9	5.5	7.5	0.6
0.0022	10	9	6	7.5	0.6
0.0027	10	9	5	7.5	0.6
0.0033	10	9	5.5	7.5	0.6
0.0036	10	9	5.5	7.5	0.6

630Vdc(220Vac)					
容量 μF	W	H	T	P	d
0.0047	10	9.5	6	7.5	0.6
0.0056	10	10	6.5	7.5	0.6
0.0068	13	9	5.5	10	0.6
0.0082	13	9	6	10	0.6
0.010	13	11	6	10	0.6
0.015	13	12	7	10	0.6
0.018	13	13	7.5	10	0.6
0.022	13	13.5	8	10	0.6
0.027	19	12	7	15	0.8
0.033	19	12.5	7.5	15	0.8
0.039	19	13	8	15	0.8
0.047	19	13.5	8.5	15	0.8
0.056	19	15	8.5	15	0.8
0.068	24	14.5	8	20	0.8
0.082	24	15	8.5	20	0.8
0.10	24	16	9	20	0.8
0.15	24	17.5	10.5	20	0.8
0.18	24	19.5	11	20	0.8
0.22	29	19.5	10	25	0.8
0.27	29	20.5	11.5	25	0.8
0.33	29	22	12	25	0.8
0.39	34	20.5	12.5	30	0.8
0.47	34	22	13.5	30	0.8
0.56	34	23	14.5	30	0.8
1000Vdc(400Vac)					
0.0010	10	9	5.5	7.5	0.6
0.0015	10	9	5.5	7.5	0.6
0.0018	10	9	5.5	7.5	0.6
0.0022	10	9	6	7.5	0.6
0.0027	10	10	6	7.5	0.6
0.0033	10	10	6.5	7.5	0.6
0.0039	10	10.5	7	7.5	0.6
0.0047	10	11	7.5	7.5	0.6
0.0056	10	11.5	8	7.5	0.6
0.0068	12.5	10.5	7	10	0.8
0.0082	12.5	11	7.5	10	0.8